

OF SERIES

Oil Free Screw
Air Compressors

45 - 450kW / 60 - 600hp

ELGI[®]
Always Better.



OF Series

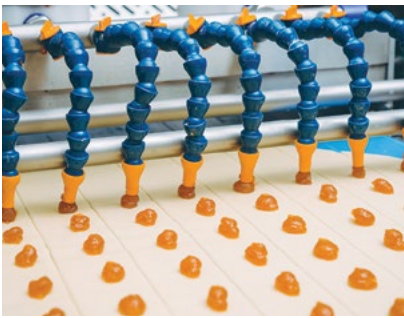
100% Class '0' Air | Reliable
Low Energy Consumption

Air Quality Matters

The quality of air is vital in sensitive industries like Food and Beverage, Textile, Pharmaceuticals, and Dairy. The implementation of environmental regulations to reduce the carbon footprint has made industries conscious of their impact on the environment while increasing quality and performance. In the past, companies had to deal with high costs and low efficiency.

With over 63+ years of experience, ELGi brings you a disruption in oil free compressed air technology. ELGi's oil free range offers reliable performance which is 100% oil free at a low operational cost.

Oil Free Air is Used Directly in the Entire Manufacturing Process in these Industries.



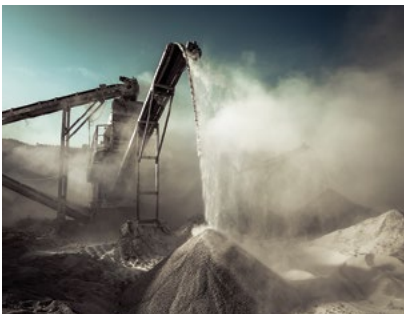
FOOD & BEVERAGE



TEXTILE



AUTOMOTIVE



CEMENT



METALS



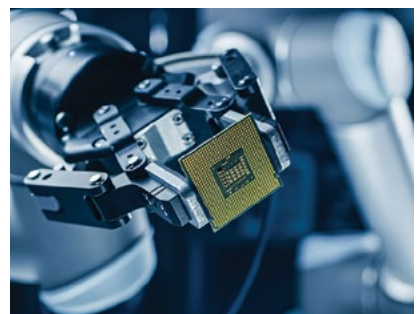
OIL & GAS



PHARMACEUTICALS



POWER



ELECTRONICS

Nearly 2 million litres (over 0.5 million gallons) of oil is released into the atmosphere every year.

As a result of global climate change and air quality concerns, we see an increase in collaborative international efforts to reduce the concentration of greenhouse gases and critical pollutants.



ELGi Oil Free Technology

ELGi is among the few air compressor manufacturers in the world that designs and builds oil free airends. The η -V rotor's slow running speeds reduce pressure losses and improve efficiency, resulting in a more effective compressed air system.

The component configuration of the OF Series machines has been optimised for easy serviceability and reduced service time. The compressors are light weight, compact and lower air outlet temperatures.

-  100% Class-0 Air
-  Reliable Products
-  Low Life Cycle Cost
-  Customer Satisfaction
-  Customised Solutions
-  Remote Monitoring System
-  Air Audit System
-  Innovative Systems

OILFREE™

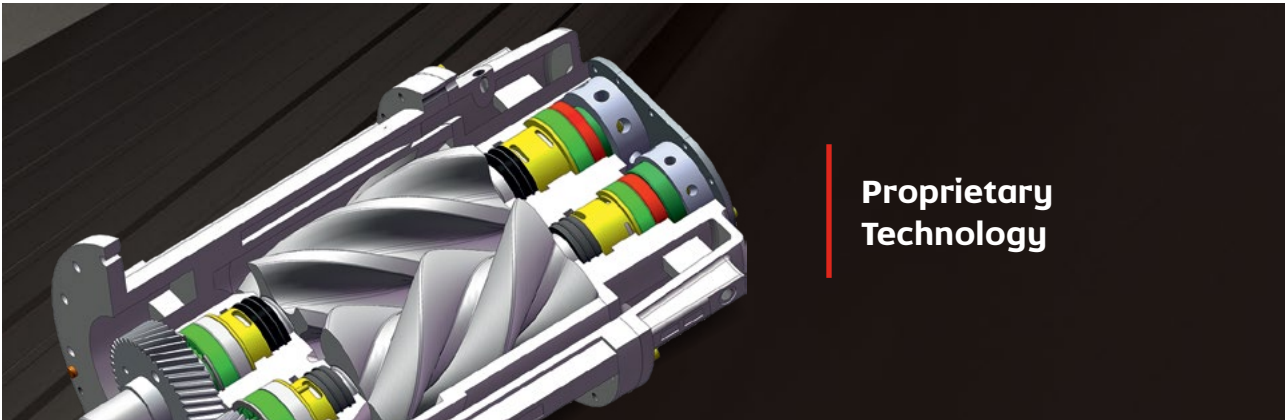
CLASS-0 ISO 8573-1

Consistent Class '0' Oil Free Air

The OF Series consistently produces oil free air that meets ISO 8573-1 class '0' air requirements. The metal surface of the rotor is coated with a food-grade coating to ensure clean, oil free air without any metal particles. Pipes have a special e-coating that ensures clean, oil free air all the time. The optimised rotor clearances provide consistent air delivery.



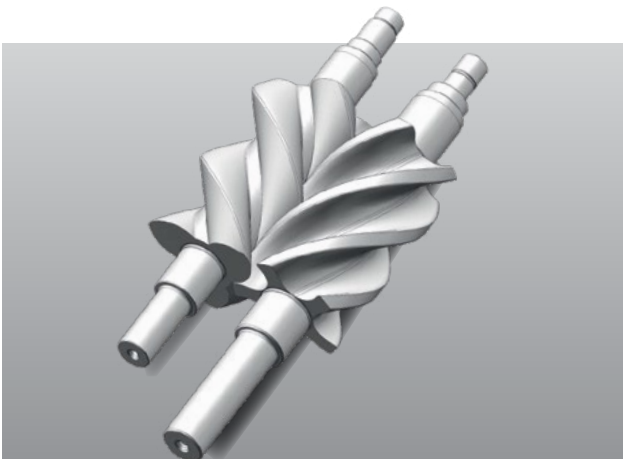
Made for industries where there is absolute intolerance of oil vapour present in the entire manufacturing process.



Proprietary Technology

The oil free air compressors are designed and developed using our in-house oil free technology to provide maximum uptime and reliability. The η -V rotor design from ELGi eliminates pressure losses and improves stage efficiency, resulting in a more efficient compressed air system. Slower rotor speeds mean less wear and tear, less vibration, and more stable long-term performance.

Every component in the ELGi OF Series, starting from design and manufacturing to quality testing, embody the philosophy of Uptime. The materials used ensure long life, reliability and ruggedness under wide ambient conditions to provide you with oil-free air for uninterrupted and seamless productivity.



Rotor

Rotor and housing are coated with a proprietary coating to resist corrosion and endure high temperatures up to 250°C. This results in optimum long-term performance with no loss in efficiency.



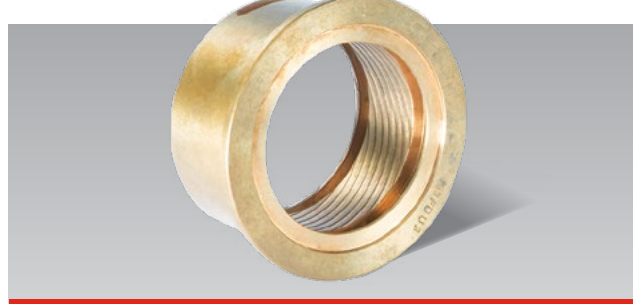
Coolers

Cupronickel coolers with a water-in-tube system for better heat transfer, least fouling factor in its kind with best thermal efficiency.



Bearings

- Run at low speeds and high temperatures.
- Optimized for oil free compressor speeds and temperatures considering the load and unload conditions.



Oil-Seal

- Non-contact type Visco seals made of Bronze.



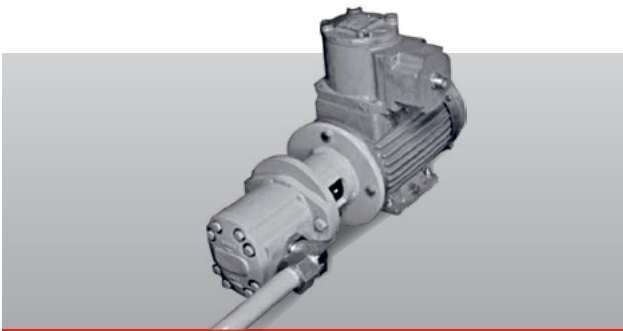
Casing

- Completely coated with proprietary coating (Food Grade).
- Water jackets are also coated with the same coating.



Air Seal

- Carbon impregnated SS Floating type seals.
- Axially locked by Belleville spring and radially locked by compressed air.



Oil Pump

- Separate motor-powered oil pump ensures lubrication before and during the start of machine (ensuring no dry running of gears and bearings).
- All oil tubing is made of stainless steel to increase reliability.



Timing Gears

- Helical gears, precision ground to DIM 4 quality and case hardened to minimize transmission losses and noise during operation.
- Dynamically balanced to reduce vibrations by optimizing the loads on bearings and increase bearing life.

Features & Benefits



Superior Warranty

ELGi's OF Series compressors come with a superior warranty as they are built to ensure long life, reliability, and durability because of the superior design, global manufacturing standards, quality tests, and components.



Low Maintenance Costs

The Rack and Pinion capacity control system can power more than one million cycles with no maintenance. By reducing the pressure band, the machine operates numerous cycles in a minute thereby saving energy and maintaining pressure discharge. This considerably lowers the cost of ownership.



Reliable Functioning

The use of rigid stainless-steel tubes improves compressor reliability and lowers maintenance costs. The compressor can work in temperatures from -5°C to 45°C.



Low Cost of Ownership

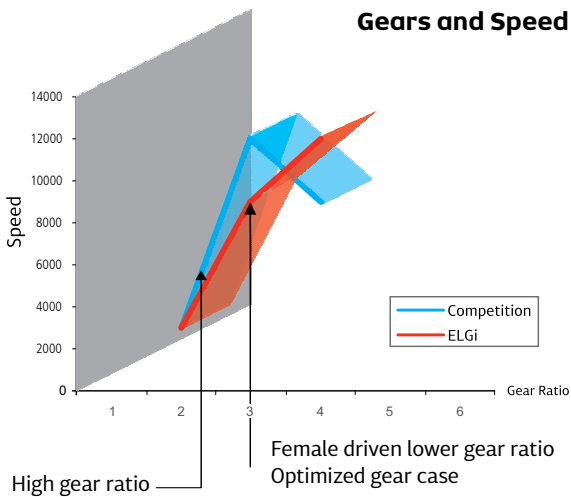
The compact and energy efficient design reduces life cycle cost and lowers the cost of ownership. The use of low-pressure cooling-water heads reduces the amount of energy used by feed water pumps. The cooling water pump reduces power consumption. The optimised airend design provides best-in-class efficiency and a fast return on investment.

Neuron IV Controller

- Seamless Integration with Air - Alert
- 7" LCD touch display
- Future ready with open-platform-communication (OPC)
- Advanced communications (CAN, Ethernet)
- Over-the-air (OTA) firmware update
- Multiple compressor control (Automatic sequencing and cascading)
- Suitable for feature up-gradations
- Multilingual - can support up to 32 languages
- Reliable design



Gears and Speed








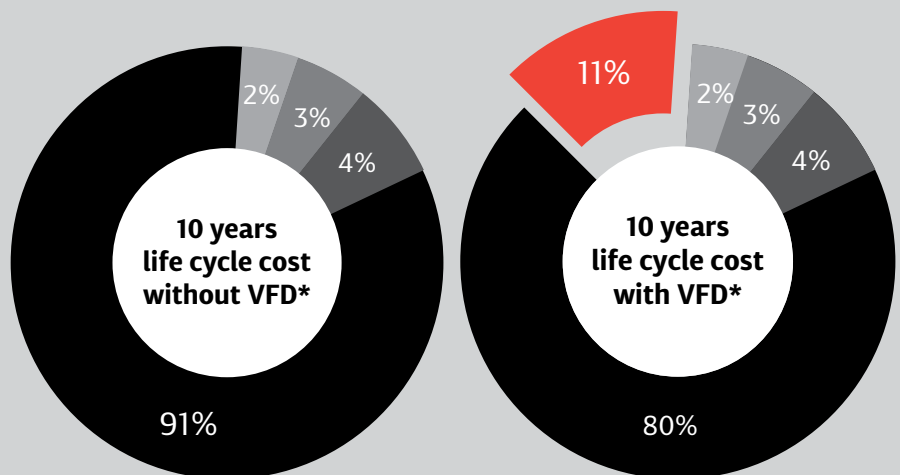
Reliability/ Working Conditions

- Lower speed of airend gives **better reliability** due to lower gear ratio.
- Usage of rigid stainless-steel tubes **improves product reliability and reduces maintenance**.
- Load unload **pressure differential is 0.2 bar g**.
- Design ensures **reliable operation in the working temperature range of -5°C to 45°C**

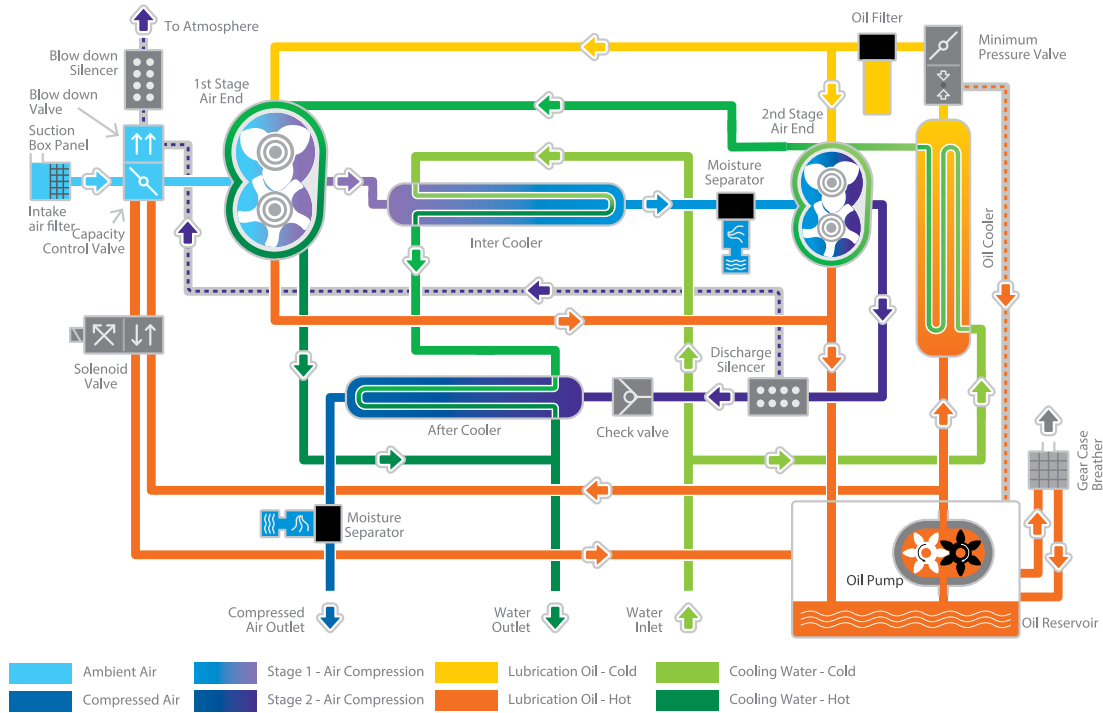
Improved Cost Of Ownership

ELGi OF Series is designed to deliver quick returns on capital invested by reducing the operating cost.

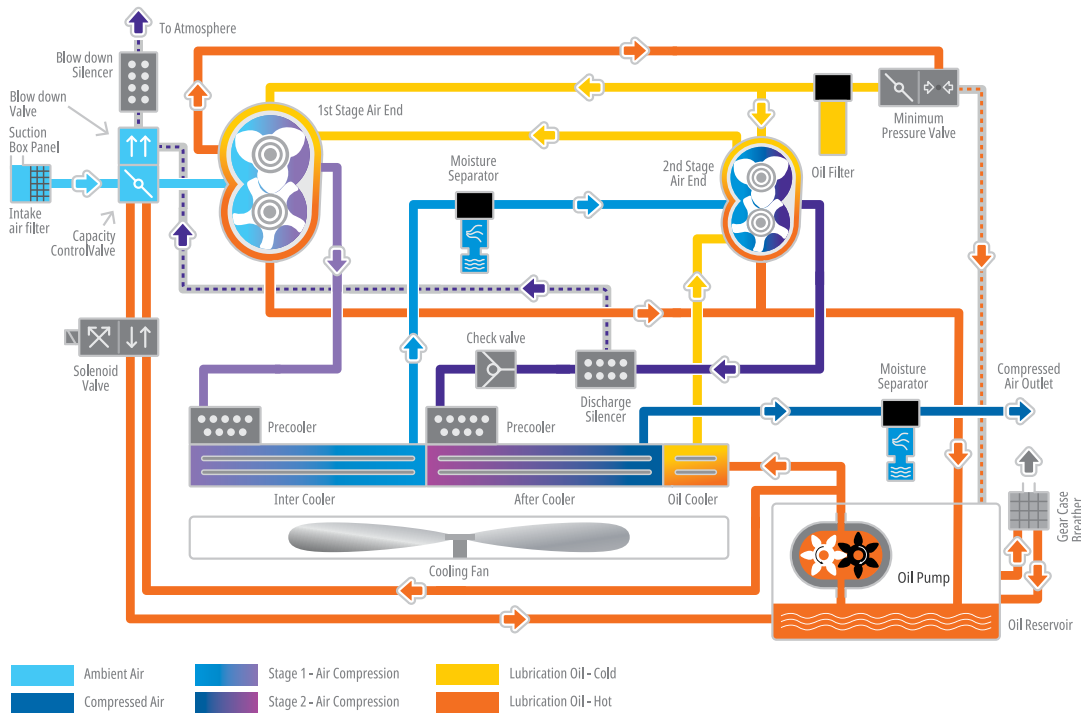
-  TOTAL POWER COST OF RUNNING MACHINE
-  TOTAL SAVINGS DUE TO VFD
-  TOTAL POWER COST FOR UTILITIES BY CUSTOMER
-  INSTALLATION AND MAINTENANCE COST
-  CAPITAL AND COMMISSIONING COST



Oil Free Two Stage Water Cooled



Oil Free Two Stage Air Cooled



Technical Specifications - OF Series

AIR COOLED FIXED SPEED (50Hz)

Model	Nominal Power		Working Pressure		Free Air Delivery		Weight	Noise Level	Dimensions (LxBxH)
	50 Hz	kW	hp	bar	psi	cfm			
OF 45	45	60	7.0	100.0	235	6.65	2600	78 ± 3	2200 x 1250 x 2000
	45	60	8.0	115.0	205	5.80	2600	78 ± 3	2200 x 1250 x 2000
	45	60	8.8	125.0	190	5.38	2600	78 ± 3	2200 x 1250 x 2000
OF 55	55	75	7.0	100.0	295	8.40	2600	78 ± 3	2200 x 1250 x 2000
	55	75	8.0	115.0	268	7.59	2600	78 ± 3	2200 x 1250 x 2000
	55	75	8.8	125.0	257	7.30	2600	78 ± 3	2200 x 1250 x 2000
	55	75	10.0	145.0	193	5.46	2600	78 ± 3	2200 x 1250 x 2000
OF 75	75	100	7.0	100.0	410	11.61	2600	78 ± 3	2200 x 1250 x 2000
	75	100	8.0	115.0	382	10.82	2600	78 ± 3	2200 x 1250 x 2000
	75	100	8.8	125.0	360	10.20	2600	78 ± 3	2200 x 1250 x 2000
	75	100	10.0	145.0	295	8.35	2600	78 ± 3	2200 x 1250 x 2000
OF 90	90	125	7.0	100.0	581	16.44	4800	79 ± 3	2950 x 1850 x 2270
	90	125	8.0	115.0	540	15.28	4800	79 ± 3	2950 x 1850 x 2270
	90	125	8.8	125.0	501	14.19	4800	79 ± 3	2950 x 1850 x 2270
	90	125	10.0	145.0	446	12.63	4800	79 ± 3	2950 x 1850 x 2270
OF 110	110	150	7.0	100.0	706	19.99	4800	79 ± 3	2950 x 1850 x 2270
	110	150	8.0	115.0	640	18.11	4800	79 ± 3	2950 x 1850 x 2270
	110	150	8.8	125.0	592	16.75	4800	79 ± 3	2950 x 1850 x 2270
	110	150	10.0	145.0	526	14.90	4800	79 ± 3	2950 x 1850 x 2270
OF 132	132	200	7.0	100.0	893	25.28	5750	79 ± 3	2950 x 1850 x 2270
	132	200	8.0	115.0	832	23.55	5750	79 ± 3	2950 x 1850 x 2270
	132	200	8.8	125.0	797	22.56	5750	79 ± 3	2950 x 1850 x 2270
	132	200	10.0	145.0	684	19.37	5750	79 ± 3	2950 x 1850 x 2270
OF 145	160	250	7.0	100.0	954	27.01	5750	79 ± 3	2950 x 1850 x 2270
	160	250	8.0	115.0	887	25.11	5750	79 ± 3	2950 x 1850 x 2270
	160	250	8.8	125.0	876	24.80	5750	79 ± 3	2950 x 1850 x 2270
	160	250	10.0	145.0	775	21.94	5750	79 ± 3	2950 x 1850 x 2270
OF 160	160	250	7.0	100.0	1076	30.46	5750	79 ± 3	2950 x 1850 x 2270
	160	250	8.0	115.0	1014	28.70	5750	79 ± 3	2950 x 1850 x 2270
	160	250	8.8	125.0	958	27.12	5750	79 ± 3	2950 x 1850 x 2270
	160	250	10.0	145.0	847	23.98	5750	79 ± 3	2950 x 1850 x 2270
OF 200	200	300	7.0	100.0	1307	37.00	7042	85 ± 3	5200 x 2000 x 2050
	200	300	8.0	115.0	1208	34.20	7042	85 ± 3	5200 x 2000 x 2050
	200	300	8.8	125.0	1198	33.92	7042	85 ± 3	5200 x 2000 x 2050

AIR COOLED FIXED SPEED (50Hz)

Model	Nominal Power		Working Pressure		Free Air Delivery		Weight	Noise Level	Dimensions (LxBxH)
	50 Hz	kW	hp	bar	psi	cfm			
OF 210	250	300	7.0	100.0	1428	40.40	7042	85 ± 3	5200 x 2000 x 2050
	250	300	8.0	115.0	1346	38.10	7042	85 ± 3	5200 x 2000 x 2050
	250	300	8.8	125.0	1297	36.70	7042	85 ± 3	5200 x 2000 x 2050
	250	300	10.0	145.0	1173	33.20	7042	85 ± 3	5200 x 2000 x 2050
OF 250	250	300	7.0	100.0	1481	41.90	7930	85 ± 3	5200 x 2000 x 2050
	250	300	8.0	115.0	1388	39.30	7930	85 ± 3	5200 x 2000 x 2050
	250	300	8.8	125.0	1340	37.92	7930	85 ± 3	5200 x 2000 x 2050
	250	300	10.0	145.0	1210	34.24	7930	85 ± 3	5200 x 2000 x 2050
OF 265	275	350	7.0	100.0	1597	45.20	7930	85 ± 3	5200 x 2000 x 2050
	275	350	8.0	115.0	1504	42.60	7930	85 ± 3	5200 x 2000 x 2050
	275	350	8.8	125.0	1405	39.80	7930	85 ± 3	5200 x 2000 x 2050
	275	350	10.0	145.0	1278	36.17	7930	85 ± 3	5200 x 2000 x 2050
OF 275	315	350	7.0	100.0	1645	46.60	7930	85 ± 3	5200 x 2000 x 2050
	315	350	8.0	115.0	1550	43.90	7930	85 ± 3	5200 x 2000 x 2050
	315	350	8.8	125.0	1495	42.30	7930	85 ± 3	5200 x 2000 x 2050
	315	350	10.0	145.0	1354	38.34	7930	85 ± 3	5200 x 2000 x 2050
OF 300	315	400	7.0	100.0	1741	49.30	7930	85 ± 3	5200 x 2000 x 2050
	315	400	8.0	115.0	1641	46.50	7930	85 ± 3	5200 x 2000 x 2050
	315	400	8.8	125.0	1588	45.00	7930	85 ± 3	5200 x 2000 x 2050
	315	400	10.0	145.0	1400	39.62	7930	85 ± 3	5200 x 2000 x 2050

Note:

- Free Air Delivery (FAD) is tested as per ISO 1217 : 2009 - Annex C
- FAD indicated is for the full package measured at the outlet
- Weight indicated is approximate and actual can vary significantly
- Due to continuous improvements, specifications are subject to change without prior notice
- Displayed here is the standard range. For customized packages with different voltages, medium and high voltage motor, pressure variants, please contact our nearest sales office
- All standard packages can be offered with built-in VFD. Please contact our nearest sales office for specifications and turndown details
- The ambient temperature operating conditions -5°C to 45°C
- Sound level measured as per ISO 2151, Second Edition at 1m distance in field conditions, +/-3dB(A)
- All motors can be supplied for various country standards like ABNT, NEMA and IEC however packages(dimension & weight) may vary

AIR COOLED VARIABLE SPEED (50Hz)

Model	Nominal Power		Working Pressure		Free Air Delivery		Weight	Noise Level	Dimensions (LxBxH)
	50 Hz	kW	hp	bar	psi	cfm			
OF 45	45	60	7.0	100.0	175-235	4.96-6.65	2600	78 ± 3	2200 x 1250 x 2000
	45	60	8.0	115.0	175-205	4.96-5.80	2600	78 ± 3	2200 x 1250 x 2000
	45	60	8.8	125.0	175-190	4.96-5.38	2600	78 ± 3	2200 x 1250 x 2000
OF 55	55	75	7.0	100.0	175-295	4.96-8.35	2600	78 ± 3	2200 x 1250 x 2000
	55	75	8.0	115.0	175-268	4.96-7.59	2600	78 ± 3	2200 x 1250 x 2000
	55	75	8.8	125.0	175-257	4.96-7.28	2600	78 ± 3	2200 x 1250 x 2000

Technical Specifications - OF Series

AIR COOLED VARIABLE SPEED (50Hz)

Model	Nominal Power		Working Pressure		Free Air Delivery		Weight	Noise Level	Dimensions (LxBxH)
	50 Hz	kW	hp	bar	psi	cfm			
OF 75	75	100	7.0	100.0	175-410	4.96-11.61	2600	78 ± 3	2200 x 1250 x 2000
	75	100	8.0	115.0	175-382	4.96-10.82	2600	78 ± 3	2200 x 1250 x 2000
	75	100	8.8	125.0	175-360	4.96-10.19	2600	78 ± 3	2200 x 1250 x 2000
	75	100	10.0	145.0	175-295	4.96-8.35	2600	78 ± 3	2200 x 1250 x 2000
OF 90	90	125	7.0	100.0	360-581	10.19-16.44	4800	79 ± 3	2950 x 1850 x 2270
	90	125	8.0	115.0	361-540	10.22-15.28	4800	79 ± 3	2950 x 1850 x 2270
	90	125	8.8	125.0	360-501	10.19-14.18	4800	79 ± 3	2950 x 1850 x 2270
	90	125	10.0	145.0	360-446	10.19-12.62	4800	79 ± 3	2950 x 1850 x 2270
OF 110	110	150	7.0	100.0	360-709	10.19-19.98	4800	79 ± 3	2950 x 1850 x 2270
	110	150	8.0	115.0	360-640	10.19-18.11	4800	79 ± 3	2950 x 1850 x 2270
	110	150	8.8	125.0	360-592	10.19-16.75	4800	79 ± 3	2950 x 1850 x 2270
	110	150	10.0	145.0	360-526	10.19-14.89	4800	79 ± 3	2950 x 1850 x 2270
OF 132	132	200	7.0	100.0	360-882	10.19-24.97	5750	79 ± 3	2950 x 1850 x 2270
	132	200	8.0	115.0	360-823	10.19-23.30	5750	79 ± 3	2950 x 1850 x 2270
	132	200	8.8	125.0	360-788	10.19-22.31	5750	79 ± 3	2950 x 1850 x 2270
	132	200	10.0	145.0	550-684	15.57-19.37	5750	79 ± 3	2950 x 1850 x 2270
OF 132P	132	200	7.0	100.0	550-893	15.57-25.28	5750	79 ± 3	2950 x 1850 x 2270
	132	200	8.0	115.0	550-832	15.57-23.55	5750	79 ± 3	2950 x 1850 x 2270
	132	200	8.8	125.0	550-795	15.57-22.51	5750	79 ± 3	2950 x 1850 x 2270
OF 145	160	250	7.0	100.0	550-954	15.57-27.01	5750	79 ± 3	2950 x 1850 x 2270
	160	250	8.0	115.0	550-887	15.57-25.11	5750	79 ± 3	2950 x 1850 x 2270
	160	250	8.8	125.0	550-876	15.57-24.80	5750	79 ± 3	2950 x 1850 x 2270
	160	250	10.0	145.0	554-775	15.69-21.94	5750	79 ± 3	2950 x 1850 x 2270
OF 160	160	250	7.0	100.0	550-1076	15.57-30.46	5750	79 ± 3	2950 x 1850 x 2270
	160	250	8.0	115.0	550-1014	15.57-28.70	5750	79 ± 3	2950 x 1850 x 2270
	160	250	8.8	125.0	560-958	15.86-27.12	5750	79 ± 3	2950 x 1850 x 2270
	160	250	10.0	145.0	550-847	15.57-23.98	5750	79 ± 3	2950 x 1850 x 2270
OF 200	200	300	7.0	100.0	932-1307	26.38-36.6	7930	80 ± 3	5200 x 2000 x 2050
	200	300	8.0	115.0	926-1208	26.21-33.8	7930	80 ± 3	5200 x 2000 x 2050
	200	300	8.8	125.0	949-1198	26.86-33.5	7930	80 ± 3	5200 x 2000 x 2050
OF 210	250	300	7.0	100.0	933-1428	26.40-40.0	7930	80 ± 3	5200 x 2000 x 2050
	250	300	8.0	115.0	931-1346	26.35-37.6	7930	80 ± 3	5200 x 2000 x 2050
	250	300	8.8	125.0	928-1297	26.26-36.3	7930	80 ± 3	5200 x 2000 x 2050
	250	300	10.0	145.0	928-1173	26.26-33.20	7930	80 ± 3	5200 x 2000 x 2050
OF 250	250	300	7.0	100.0	931-1481	26.35-41.4	7930	80 ± 3	5200 x 2000 x 2050
	250	300	8.0	115.0	931-1388	26.35-38.8	7930	80 ± 3	5200 x 2000 x 2050
	250	300	8.8	125.0	929-1337	26.29-37.4	7930	80 ± 3	5200 x 2000 x 2050
	250	300	10.0	145.0	928-1210	26.26-34.24	7930	80 ± 3	5200 x 2000 x 2050
OF 265	275	350	7.0	100.0	933-1597	26.40-44.7	7930	80 ± 3	5200 x 2000 x 2050
	275	350	8.0	115.0	929-1504	26.29-42.1	7930	80 ± 3	5200 x 2000 x 2050
	275	350	8.8	125.0	929-1405	26.29-39.3	7930	80 ± 3	5200 x 2000 x 2050
	275	350	10.0	145.0	927-1278	26.23-36.17	7930	80 ± 3	5200 x 2000 x 2050

AIR COOLED VARIABLE SPEED (50Hz)

Model	Nominal Power		Working Pressure		Free Air Delivery		Weight	Noise Level	Dimensions (LxBxH)
	50 Hz	kW	hp	bar	psi	cfm			
OF 275	275	350	7.0	100.0	929-1645	26.29-46.6	7930	80 ± 3	5200 x 2000 x 2050
	275	350	8.0	115.0	928-1550	26.26-43.4	7930	80 ± 3	5200 x 2000 x 2050
	275	350	8.8	125.0	925-1495	26.18-41.8	7930	80 ± 3	5200 x 2000 x 2050
	275	350	10.0	145.0	922-1345	26.09-38.06	7930	80 ± 3	5200 x 2000 x 2050
OF 300	300	400	7.0	100.0	930-1741	26.32-48.7	7930	80 ± 3	5200 x 2000 x 2050
	300	400	8.0	115.0	927-1641	26.23-46.0	7930	80 ± 3	5200 x 2000 x 2050
	300	400	8.8	125.0	922-1588	26.09-44.4	7930	80 ± 3	5200 x 2000 x 2050
	300	400	10.0	145.0	921-1400	26.06-39.62	7930	80 ± 3	5200 x 2000 x 2050

WATER COOLED FIXED SPEED (50Hz)

Model	Nominal Power		Working Pressure		Free Air Delivery		Weight	Noise Level	Dimensions (LxBxH)
	50 Hz	kW	hp	bar	psi	cfm			
OF 90	90	125	7.0	100.0	612	17.33	3970	75 ± 3	2750 X 1650 X 1850
	90	125	8.0	115.0	541	15.32	3970	75 ± 3	2750 X 1650 X 1850
	90	125	8.8	125.0	520	14.72	3970	75 ± 3	2750 X 1650 X 1850
	90	125	10.0	145.0	440	12.46	3970	75 ± 3	2750 X 1650 X 1850
OF 110	110	150	7.0	100.0	745	21.09	4471	75 ± 3	3050 X 1650 X 1850
	110	150	8.0	115.0	698	19.76	4471	75 ± 3	3050 X 1650 X 1850
	110	150	8.8	125.0	655	18.54	4471	75 ± 3	3050 X 1650 X 1850
	110	150	10.0	145.0	535	15.15	4471	75 ± 3	2750 X 1650 X 1850
OF 132	132	200	7.0	100.0	920	26.05	4528	76 ± 3	3050 X 1650 X 1850
	132	200	8.0	115.0	850	24.07	4528	76 ± 3	3050 X 1650 X 1850
	132	200	8.8	125.0	790	22.37	4528	76 ± 3	3050 X 1650 X 1850
	132	200	10.0	145.0	700	19.82	4528	76 ± 3	3050 X 1650 X 1850
OF 145	160	250	7.0	100.0	986	27.92	4670	76 ± 3	3050 X 1650 X 1850
	160	250	8.0	115.0	908	25.71	4670	76 ± 3	3050 X 1650 X 1850
	160	250	8.8	125.0	897	25.40	4670	76 ± 3	3050 X 1650 X 1850
	160	250	10.0	145.0	720	20.39	4670	76 ± 3	3050 X 1650 X 1850
OF 160	160	250	7.0	100.0	1105	31.29	4670	76 ± 3	3050 X 1650 X 1850
	160	250	8.0	115.0	1018	28.83	4670	76 ± 3	3050 X 1650 X 1850
	160	250	8.8	125.0	956	27.07	4670	76 ± 3	3050 X 1650 X 1850
	160	250	10.0	145.0	840	23.79	4670	76 ± 3	3050 X 1650 X 1850
OF 200	200	300	7.0	100.0	1363	38.59	6350	80 ± 3	3500 x 1850 x 2050
	200	300	8.0	115.0	1253	35.47	6350	80 ± 3	3500 x 1850 x 2050
	200	300	8.8	125.0	1233	34.91	6350	80 ± 3	3500 x 1850 x 2050

Refer page 11

Technical Specifications - OF Series

WATER COOLED FIXED SPEED (50Hz)

Model	Nominal Power		Working Pressure		Free Air Delivery		Weight	Noise Level	Dimensions (LxBxH)
	50 Hz	kW	hp	bar	psi	cfm			
OF 210	250	300	7.0	100.0	1469	41.59	6350	80 ± 3	3500 x 1850 x 2050
	250	300	8.0	115.0	1383	39.15	6350	80 ± 3	3500 x 1850 x 2050
	250	300	8.8	125.0	1328	37.60	6350	80 ± 3	3500 x 1850 x 2050
	250	300	10.0	145.0	1203	34.06	6350	80 ± 3	3500 x 1850 x 2050
OF 250	250	300	7.0	100.0	1521	43.06	6350	80 ± 3	3500 x 1850 x 2050
	250	300	8.0	115.0	1423	40.29	6350	80 ± 3	3500 x 1850 x 2050
	250	300	8.8	125.0	1368	38.73	6350	80 ± 3	3500 x 1850 x 2050
	250	300	10.0	145.0	1248	35.33	6350	80 ± 3	3500 x 1850 x 2050
OF 265	275	350	7.0	100.0	1663	47.08	6350	80 ± 3	3500 x 1850 x 2050
	275	350	8.0	115.0	1563	44.25	6350	80 ± 3	3500 x 1850 x 2050
	275	350	8.8	125.0	1458	41.28	6350	80 ± 3	3500 x 1850 x 2050
	275	350	10.0	145.0	1298	36.75	6350	80 ± 3	3500 x 1850 x 2050
OF 275	315	350	7.0	100.0	1715	48.55	6350	80 ± 3	3500 x 1850 x 2050
	315	350	8.0	115.0	1613	45.66	6350	80 ± 3	3500 x 1850 x 2050
	315	350	8.8	125.0	1558	44.11	6350	80 ± 3	3500 x 1850 x 2050
	315	350	10.0	145.0	1348	38.16	6350	80 ± 3	3500 x 1850 x 2050
OF 300	315	400	7.0	100.0	1839	52.06	6350	80 ± 3	3500 x 1850 x 2050
	315	400	8.0	115.0	1708	48.35	6350	80 ± 3	3500 x 1850 x 2050
	315	400	8.8	125.0	1653	46.80	6350	80 ± 3	3500 x 1850 x 2050
	315	400	10.0	145.0	1443	40.85	6350	80 ± 3	3500 x 1850 x 2050
OF 355	355	480	7.0	100.0	2003	56.70	9500	85 ± 3	4200 x 2100 x 2550
	355	480	8.0	115.0	1988	56.28	9500	85 ± 3	4200 x 2100 x 2550
	355	480	8.8	125.0	1988	56.28	9500	85 ± 3	4200 x 2100 x 2550
	355	480	10.0	145.0	1771	50.14	9500	85 ± 3	4200 x 2100 x 2550
OF 400	400	550	7.0	100.0	2263	64.07	9500	85 ± 3	4200 x 2100 x 2550
	400	550	8.0	115.0	2263	64.07	9500	85 ± 3	4200 x 2100 x 2550
	400	550	8.8	125.0	2263	64.07	9500	85 ± 3	4200 x 2100 x 2550
	400	550	10.0	145.0	2018	57.13	9500	85 ± 3	4200 x 2100 x 2550
OF 450	450	610	7.0	100.0	2518	71.28	9500	85 ± 3	4200 x 2100 x 2550
	450	610	8.0	115.0	2513	71.14	9500	85 ± 3	4200 x 2100 x 2550
	450	610	8.8	125.0	2513	71.14	9500	85 ± 3	4200 x 2100 x 2550
	450	610	10.0	145.0	2225	63.00	9500	85 ± 3	4200 x 2100 x 2550

Refer page 11

WATER COOLED VARIABLE SPEED (50Hz)

Model	Nominal Power		Working Pressure		Free Air Delivery		Weight	Noise Level	Dimensions (LxBxH)
	50 Hz	kW	hp	bar	psi	cfm			
OF 90	90	125	7.0	100.0	350-612	9.91-17.33	4151	75 ± 3	2750 X 1650 X 1850
	90	125	8.0	115.0	350-541	9.91-15.32	4151	75 ± 3	2750 X 1650 X 1850
	90	125	8.8	125.0	350-520	9.91-14.72	4151	75 ± 3	2750 X 1650 X 1850
	90	125	10.0	145.0	365-440	10.34-12.46	4151	75 ± 3	2750 X 1650 X 1850
OF 110	110	150	7.0	100.0	350-678	9.91-19.20	4207	75 ± 3	2750 X 1650 X 1850
	110	150	8.0	115.0	350-675	9.91-19.11	4207	75 ± 3	2750 X 1650 X 1850
	110	150	8.8	125.0	350-568	9.91-16.08	4207	75 ± 3	2750 X 1650 X 1850
	110	150	10.0	145.0	365-535	10.34-15.15	4207	75 ± 3	2750 X 1650 X 1850
OF 132	132	200	7.0	100.0	350-863	9.91-24.44	4425	76 ± 3	3050 X 1650 X 1850
	132	200	8.0	115.0	350-803	9.91-22.74	4425	76 ± 3	3050 X 1650 X 1850
	132	200	8.8	125.0	350-753	9.91-21.32	4425	76 ± 3	3050 X 1650 X 1850
	132	200	10.0	145.0	601-700	17.02-19.82	4725	76 ± 3	3050 X 1650 X 1850
OF 132P	132	200	7.0	100.0	580-920	16.42-26.05	4528	76 ± 3	3050 X 1650 X 1850
	132	200	8.0	115.0	580-850	16.42-24.07	4528	76 ± 3	3050 X 1650 X 1850
	132	200	8.8	125.0	580-790	16.42-22.37	4528	76 ± 3	3050 X 1650 X 1850
OF 145	160	250	7.0	100.0	580-986	16.42-27.92	4866	76 ± 3	3050 X 1650 X 1850
	160	250	8.0	115.0	580-908	16.42-25.71	4866	76 ± 3	3050 X 1650 X 1850
	160	250	8.8	125.0	580-897	16.42-25.40	4866	76 ± 3	3050 X 1650 X 1850
	160	250	10.0	145.0	599-720	16.96-20.39	4866	76 ± 3	3050 X 1650 X 1850
OF 160	160	250	7.0	100.0	580-1105	16.42-31.29	4866	76 ± 3	3050 X 1650 X 1850
	160	250	8.0	115.0	580-1018	16.42-28.83	4866	76 ± 3	3050 X 1650 X 1850
	160	250	8.8	125.0	580-956	16.42-27.07	4866	76 ± 3	3050 X 1650 X 1850
	160	250	10.0	145.0	599-840	16.96-23.78	4866	76 ± 3	3050 X 1650 X 1850
OF 200	200	300	7.0	100.0	939-1363	26.57-38.6	6350	80 ± 3	3500 x 1850 x 2050
	200	300	8.0	115.0	959-1253	27.14-35.4	6350	80 ± 3	3500 x 1850 x 2050
	200	300	8.8	125.0	948-1233	26.83-35.0	6350	80 ± 3	3500 x 1850 x 2050
	200	300	10.0	145.0	940-1163	26.60-32.91	6350	80 ± 3	3500 x 1850 x 2050
OF 210	250	300	7.0	100.0	924-1469	26.15-41.6	6350	80 ± 3	3500 x 1850 x 2050
	250	300	8.0	115.0	933-1383	26.40-39.1	6350	80 ± 3	3500 x 1850 x 2050
	250	300	8.8	125.0	943-1328	26.69-37.6	6350	80 ± 3	3500 x 1850 x 2050
	250	300	10.0	145.0	943-1203	26.69-34.04	6350	80 ± 3	3500 x 1850 x 2050
OF 250	250	300	7.0	100.0	928-1521	26.26-43.0	6350	80 ± 3	3500 x 1850 x 2050
	250	300	8.0	115.0	938-1423	26.55-40.3	6350	80 ± 3	3500 x 1850 x 2050
	250	300	8.8	125.0	943-1368	26.69-38.7	6350	80 ± 3	3500 x 1850 x 2050
	250	300	10.0	145.0	938-1248	26.55-35.32	6350	80 ± 3	3500 x 1850 x 2050

Technical Specifications - OF Series

WATER COOLED VARIABLE SPEED (50Hz)

Model	Nominal Power		Working Pressure		Free Air Delivery		Weight	Noise Level	Dimensions (LxBxH)
	50 Hz	kW	hp	bar	psi	cfm			
OF 265	275	350	7.0	100.0	903-1663	25.55-47.0	6350	80 ± 3	3500 x 1850 x 2050
	275	350	8.0	115.0	935-1563	26.46-44.2	6350	80 ± 3	3500 x 1850 x 2050
	275	350	8.8	125.0	932-1458	26.38-41.2	6350	80 ± 3	3500 x 1850 x 2050
	275	350	10.0	145.0	935-1298	26.46-36.73	6350	80 ± 3	3500 x 1850 x 2050
OF 275	315	350	7.0	100.0	932-1715	26.38-48.5	6350	80 ± 3	3500 x 1850 x 2050
	315	350	8.0	115.0	935-1613	26.46-45.6	6350	80 ± 3	3500 x 1850 x 2050
	315	350	8.8	125.0	927-1558	26.23-44.1	6350	80 ± 3	3500 x 1850 x 2050
	315	350	10.0	145.0	935-1348	26.46-38.15	6350	80 ± 3	3500 x 1850 x 2050
OF 300	315	400	7.0	100.0	933-1839	26.40-52.0	6350	80 ± 3	3500 x 1850 x 2050
	315	400	8.0	115.0	929-1708	26.29-48.3	6350	80 ± 3	3500 x 1850 x 2050
	315	400	8.8	125.0	922-1653	26.09-46.8	6350	80 ± 3	3500 x 1850 x 2050
	315	400	10.0	145.0	934-1450	26.43-41.04	6350	80 ± 3	3500 x 1850 x 2050
OF 400	400	550	7.0	100.0	1371-2263	38.3-64.0	9500	85 ± 3	4200 x 2100 x 2550
	400	550	8.0	115.0	1768-2263	50.0-64.0	9500	85 ± 3	4200 x 2100 x 2550
	400	550	8.8	125.0	1766-2263	50.0-64.0	9500	85 ± 3	4200 x 2100 x 2550
	400	550	10.0	145.0	1598-2018	45.2-57.1	9500	85 ± 3	4200 x 2100 x 2550
OF 450	450	610	7.0	100.0	1375-2518	38.5-71.3	9500	85 ± 3	4200 x 2100 x 2550
	450	610	8.0	115.0	1781-2513	50.4-71.1	9500	85 ± 3	4200 x 2100 x 2550
	450	610	8.8	125.0	1781-2513	50.4-71.1	9500	85 ± 3	4200 x 2100 x 2550
	450	610	10.0	145.0	1579-2225	44.7-63.0	9500	85 ± 3	4200 x 2100 x 2550

Refer page 11

AIR COOLED FIXED SPEED (60Hz)

Model	Nominal Power		Working Pressure		Free Air Delivery		Weight	Noise Level	Dimensions (LxBxH)
	60 Hz	kW	hp	bar	psi	cfm			
OF 45	45	60	7.0	100.0	235	6.65	5732	78 ± 3	86.6 x 49.2 x 78.7
	45	60	8.6	125.0	190	5.38	5732	78 ± 3	86.6 x 49.2 x 78.7
OF 55	55	75	7.0	100.0	295	8.35	5732	78 ± 3	86.6 x 49.2 x 78.7
	55	75	8.0	115.0	268	7.59	5732	78 ± 3	86.6 x 49.2 x 78.7
	55	75	8.6	125.0	257	7.28	5732	78 ± 3	86.6 x 49.2 x 78.7
	55	75	10.0	145.0	193	5.46	5732	78 ± 3	86.6 x 49.2 x 78.7
OF 75	75	100	7.0	100.0	425	12.03	5732	78 ± 3	86.6 x 49.2 x 78.7
	75	100	8.0	115.0	387	10.96	5732	78 ± 3	86.6 x 49.2 x 78.7
	75	100	8.6	125.0	360	10.19	5732	78 ± 3	86.6 x 49.2 x 78.7
	75	100	10.0	145.0	295	8.35	5732	78 ± 3	86.6 x 49.2 x 78.7
OF 90	90	125	7.0	100.0	568	16.08	10580	79 ± 3	116.1 x 72.8 x 90.0
	90	125	8.0	115.0	529	14.98	10580	79 ± 3	116.1 x 72.8 x 90.0
	90	125	8.6	125.0	502	14.22	10580	79 ± 3	116.1 x 72.8 x 90.0
	90	125	10.0	145.0	453	12.83	10580	79 ± 3	116.1 x 72.8 x 90.0
OF 110	110	150	7.0	100.0	693	19.62	10580	79 ± 3	116.1 x 72.8 x 90.0
	110	150	8.0	115.0	653	18.49	10580	79 ± 3	116.1 x 72.8 x 90.0
	110	150	8.6	125.0	586	16.59	10580	79 ± 3	116.1 x 72.8 x 90.0
	110	150	10.0	145.0	527	14.92	10580	79 ± 3	116.1 x 72.8 x 90.0
OF 132	132	200	7.0	100.0	873	24.72	12676	79 ± 3	116.1 x 72.8 x 90.0
	132	200	8.0	115.0	835	23.64	12676	79 ± 3	116.1 x 72.8 x 90.0
	132	200	8.6	125.0	815	23.08	12676	79 ± 3	116.1 x 72.8 x 90.0
	132	200	10.0	145.0	672	19.03	12676	79 ± 3	116.1 x 72.8 x 90.0
OF 145	160	250	7.0	100.0	940	26.62	12676	79 ± 3	116.1 x 72.8 x 90.0
	160	250	8.0	115.0	873	24.72	12676	79 ± 3	116.1 x 72.8 x 90.0
	160	250	8.6	125.0	855	24.21	12676	79 ± 3	116.1 x 72.8 x 90.0
	160	250	10.0	145.0	714	20.22	12676	79 ± 3	116.1 x 72.8 x 90.0
OF 160	160	250	7.0	100.0	1117	31.63	12676	79 ± 3	116.1 x 72.8 x 90.0
	160	250	8.0	115.0	1010	28.60	12676	79 ± 3	116.1 x 72.8 x 90.0
	160	250	8.6	125.0	1026	29.05	12676	79 ± 3	116.1 x 72.8 x 90.0
	160	250	10.0	145.0	867	24.55	12676	79 ± 3	116.1 x 72.8 x 90.0

Refer page 11

Technical Specifications - OF Series

AIR COOLED VARIABLE SPEED (60Hz)

Model	Nominal Power		Working Pressure		Free Air Delivery		Weight	Noise Level	Dimensions (LxBxH)
	60 Hz	kW	hp	bar	psi	cfm			
OF 55	55	75	7.0	100.0	175-295	4.96-8.35	5732	78 ± 3	86.6 x 49.2 x 78.7
	55	75	8.0	115.0	175-268	4.96-7.59	5732	78 ± 3	86.6 x 49.2 x 78.7
	55	75	8.6	125.0	175-257	4.96-7.28	5732	78 ± 3	86.6 x 49.2 x 78.7
OF 75	75	100	7.0	100.0	175-425	4.96-12.03	5732	78 ± 3	86.6 x 49.2 x 78.7
	75	100	8.0	115.0	175-387	4.96-10.96	5732	78 ± 3	86.6 x 49.2 x 78.7
	75	100	8.6	125.0	175-360	4.96-10.19	5732	78 ± 3	86.6 x 49.2 x 78.7
	75	100	10.0	145.0	175-295	4.96-8.35	5732	78 ± 3	86.6 x 49.2 x 78.7
OF 90	90	125	7.0	100.0	360-568	10.19-16.08	10580	79 ± 3	116.1 x 72.8 x 90.0
	90	125	8.0	115.0	361-529	10.22-14.98	10580	79 ± 3	116.1 x 72.8 x 90.0
	90	125	8.6	125.0	360-502	10.19-14.22	10580	79 ± 3	116.1 x 72.8 x 90.0
	90	125	10.0	145.0	360-453	10.19-12.83	10580	79 ± 3	116.1 x 72.8 x 90.0
OF 110	110	150	7.0	100.0	360-693	10.19-19.62	10580	79 ± 3	116.1 x 72.8 x 90.0
	110	150	8.0	115.0	360-653	10.19-18.49	10580	79 ± 3	116.1 x 72.8 x 90.0
	110	150	8.6	125.0	360-586	10.19-16.59	10580	79 ± 3	116.1 x 72.8 x 90.0
	110	150	10.0	145.0	360-527	10.19-14.92	10580	79 ± 3	116.1 x 72.8 x 90.0
OF 132	132	200	7.0	100.0	360-867	10.19-24.55	12676	79 ± 3	116.1 x 72.8 x 90.0
	132	200	8.0	115.0	360-797	10.19-22.57	12676	79 ± 3	116.1 x 72.8 x 90.0
	132	200	8.6	125.0	360-765	10.19-21.66	12676	79 ± 3	116.1 x 72.8 x 90.0
	132	200	10.0	145.0	550-672	15.57-19.03	12676	79 ± 3	116.1 x 72.8 x 90.0
OF 132P	132	200	7.0	100.0	550-873	15.57-24.72	12676	79 ± 3	116.1 x 72.8 x 90.0
	132	200	8.0	115.0	550-835	15.57-23.64	12676	79 ± 3	116.1 x 72.8 x 90.0
	132	200	8.6	125.0	550-815	15.57-23.08	12676	79 ± 3	116.1 x 72.8 x 90.0
OF 145	160	250	7.0	100.0	550-940	15.57-26.62	12676	79 ± 3	116.1 x 72.8 x 90.0
	160	250	8.0	115.0	550-873	15.57-24.72	12676	79 ± 3	116.1 x 72.8 x 90.0
	160	250	8.6	125.0	550-855	15.57-24.21	12676	79 ± 3	116.1 x 72.8 x 90.0
	160	250	10.0	145.0	550-714	15.57-20.22	12676	79 ± 3	116.1 x 72.8 x 90.0
OF 160	160	250	7.0	100.0	550-1117	15.57-31.63	12676	79 ± 3	116.1 x 72.8 x 90.0
	160	250	8.0	115.0	550-1010	15.57-28.60	12676	79 ± 3	116.1 x 72.8 x 90.0
	160	250	8.6	125.0	550-1026	15.57-29.05	12676	79 ± 3	116.1 x 72.8 x 90.0
	160	250	10.0	145.0	550-867	15.57-24.55	12676	79 ± 3	116.1 x 72.8 x 90.0

Refer page 11

WATER COOLED FIXED SPEED (60Hz)

Model	Nominal Power		Working Pressure		Free Air Delivery		Weight	Noise Level	Dimensions (LxBxH)
	60 Hz	kW	hp	bar	psi	cfm			
OF 90	90	125	7.0	100.0	590	16.71	8880	75 ± 3	108 X 65 X 73
	90	125	8.0	115.0	533	15.09	8880	75 ± 3	108 X 65 X 73
	90	125	8.6	125.0	525	14.87	8880	75 ± 3	108 X 65 X 73
	90	125	10.0	145.0	452	12.80	8880	75 ± 3	108 X 65 X 73
OF 110	110	150	7.0	100.0	737	20.87	9896	75 ± 3	120 X 65 X 73
	110	150	8.0	115.0	700	19.82	9896	75 ± 3	120 X 65 X 73
	110	150	8.6	125.0	650	18.40	9896	75 ± 3	120 X 65 X 73
	110	150	10.0	145.0	546	15.46	8946	75 ± 3	108 X 65 X 73
OF 132	132	200	7.0	100.0	865	24.49	10901	76 ± 3	120 X 65 X 73
	132	200	8.0	115.0	804	22.77	10901	76 ± 3	120 X 65 X 73
	132	200	8.6	125.0	773	21.89	10901	76 ± 3	120 X 65 X 73
	132	200	10.0	145.0	700	19.82	10901	76 ± 3	120 X 65 X 73

WATER COOLED FIXED SPEED (60Hz)

Model	Nominal Power		Working Pressure		Free Air Delivery		Weight	Noise Level	Dimensions (LxBxH)
	60 Hz	kW	hp	bar	psi	cfm	m ³ /min	lbs	db(A)
OF 145	160	250	7.0	100.0	986	27.92	10901	76 ± 3	120 X 65 X 73
	160	250	8.0	115.0	908	25.71	10901	76 ± 3	120 X 65 X 73
	160	250	8.6	125.0	897	25.40	10901	76 ± 3	120 X 65 X 73
	160	250	10.0	145.0	720	20.39	10901	76 ± 3	120 X 65 X 73
OF 160	160	250	7.0	100.0	1100	31.15	10635	76 ± 3	120 X 65 X 73
	160	250	8.0	115.0	1018	28.83	10635	76 ± 3	120 X 65 X 73
	160	250	8.6	125.0	953	26.99	10635	76 ± 3	120 X 65 X 73
	160	250	10.0	145.0	840	23.79	10635	76 ± 3	120 X 65 X 73
OF 200	200	300	7.0	100.0	1351	38.25	13999	80 ± 3	138 x 73 x 81
OF 210	250	300	7.0	100.0	1468	41.56	13999	80 ± 3	138 x 73 x 81
	250	300	8.0	115.0	1376	38.95	13999	80 ± 3	138 x 73 x 81
	250	300	8.6	125.0	1327	37.57	13999	80 ± 3	138 x 73 x 81
OF 250	250	300	7.0	100.0	1509	42.72	13999	80 ± 3	138 x 73 x 81
	250	300	8.0	115.0	1416	40.09	13999	80 ± 3	138 x 73 x 81
	250	300	8.6	125.0	1366	38.67	13999	80 ± 3	138 x 73 x 81
	250	300	10.0	145.0	1267	35.88	13999	80 ± 3	138 x 73 x 81
OF 265	275	350	7.0	100.0	1654	46.82	13999	80 ± 3	138 x 73 x 81
	275	350	8.0	115.0	1550	43.88	13999	80 ± 3	138 x 73 x 81
	275	350	8.6	125.0	1414	40.03	13999	80 ± 3	138 x 73 x 81
	275	350	10.0	145.0	1308	37.04	13999	80 ± 3	138 x 73 x 81
OF 275	315	350	7.0	100.0	1688	47.79	13999	80 ± 3	138 x 73 x 81
	315	350	8.0	115.0	1602	45.35	13999	80 ± 3	138 x 73 x 81
	315	350	8.6	125.0	1506	42.63	13999	80 ± 3	138 x 73 x 81
	315	350	10.0	145.0	1350	38.23	13999	80 ± 3	138 x 73 x 81
OF 300	315	400	7.0	100.0	1809	51.21	13999	80 ± 3	138 x 73 x 81
	315	400	8.0	115.0	1680	47.56	13999	80 ± 3	138 x 73 x 81
	315	400	8.6	125.0	1646	46.60	13999	80 ± 3	138 x 73 x 81
	315	400	10.0	145.0	1438	40.72	13999	80 ± 3	138 x 73 x 81
OF 355	330	450	7.0	100.0	2003	56.70	20943	82 ± 3	165 x 82 x 100
	330	450	8.0	115.0	1988	56.28	20943	82 ± 3	165 x 82 x 100
	330	450	8.6	125.0	1988	56.28	20943	82 ± 3	165 x 82 x 100
OF 400	400	525	7.0	100.0	2263	64.07	20943	82 ± 3	165 x 82 x 100
	400	525	8.0	115.0	2263	64.07	20943	82 ± 3	165 x 82 x 100
	400	525	8.6	125.0	2263	64.07	20943	82 ± 3	165 x 82 x 100
OF 450	460	600	7.0	100.0	2518	71.28	20943	82 ± 3	165 x 82 x 100
	460	600	8.0	115.0	2513	71.14	20943	82 ± 3	165 x 82 x 100
	460	600	8.6	125.0	2513	71.14	20943	82 ± 3	165 x 82 x 100

WATER COOLED VARIABLE SPEED (60Hz)

Model	Nominal Power		Working Pressure		Free Air Delivery		Weight	Noise Level	Dimensions (LxBxH)
	60 Hz	kW	hp	bar	psi	cfm	m ³ /min	lbs	db(A)
OF 90	90	125	7.0	100.0	350-590	9.91-16.70	9109	75 ± 3	108 X 65 X 73
	90	125	8.0	115.0	349-533	9.88-15.09	9109	75 ± 3	108 X 65 X 73
	90	125	8.6	125.0	350-525	9.91-14.87	9109	75 ± 3	108 X 65 X 73
	90	125	10.0	145.0	365-452	10.34-12.80	9109	75 ± 3	108 X 65 X 73

Technical Specifications - OF Series

WATER COOLED VARIABLE SPEED (60Hz)

Model	Nominal Power		Working Pressure		Free Air Delivery		Weight	Noise Level	Dimensions (LxBxH)
	60 Hz	kW	hp	bar	psi	cfm	m ³ /min	lbs	db(A)
OF 110	110	150	7.0	100.0	350-678	9.91-19.20	10191	75 ± 3	108 X 65 X 73
	110	150	8.0	115.0	347-676	9.83-19.14	10191	75 ± 3	108 X 65 X 73
	110	150	8.6	125.0	349-568	9.88-16.08	10191	75 ± 3	108 X 65 X 73
	110	150	10.0	145.0	365-535	10.34-15.15	10191	75 ± 3	108 X 65 X 73
OF 132	132	200	7.0	100.0	350-863	9.91-24.44	11176	76 ± 3	120 X 65 X 73
	132	200	8.0	115.0	350-804	9.91-22.77	11176	76 ± 3	120 X 65 X 73
	132	200	8.6	125.0	350-753	9.91-21.32	11176	76 ± 3	120 X 65 X 73
	132	200	10.0	145.0	597-700	16.91-19.82	11176	76 ± 3	120 X 65 X 73
OF 132P	132	200	7.0	100.0	580-922	16.42-26.11	11176	76 ± 3	120 X 65 X 73
	132	200	8.0	115.0	579-855	16.40-24.21	11176	76 ± 3	120 X 65 X 73
	132	200	8.6	125.0	579-805	16.40-22.8	11176	76 ± 3	120 X 65 X 73
OF 145	160	250	7.0	100.0	580-986	16.42-27.92	11200	76 ± 3	120 X 65 X 73
	160	250	8.0	115.0	580-908	16.42-25.71	11200	76 ± 3	120 X 65 X 73
	160	250	8.6	125.0	581-897	16.45-25.40	11200	76 ± 3	120 X 65 X 73
	160	250	10.0	145.0	598-720	16.93-20.39	11200	76 ± 3	120 X 65 X 73
OF 160	160	250	7.0	100.0	581-1100	16.45-31.14	10934	76 ± 3	120 X 65 X 73
	160	250	8.0	115.0	580-1018	16.42-28.83	10934	76 ± 3	120 X 65 X 73
	160	250	8.6	125.0	581-953	16.45-26.99	10934	76 ± 3	120 X 65 X 73
	160	250	10.0	145.0	600-840	16.99-22.78	10934	76 ± 3	120 X 65 X 73
OF 200	200	300	7.0	100.0	970-1351	27.45-38.2	13999	80 ± 3	138 x 73 x 81
OF 210	250	300	7.0	100.0	906-1468	25.64-41.5	13999	80 ± 3	138 x 73 x 81
	250	300	8.0	115.0	971-1376	27.48-38.9	13999	80 ± 3	138 x 73 x 81
	250	300	8.6	125.0	965-1327	27.31-37.5	13999	80 ± 3	138 x 73 x 81
OF 250	250	300	7.0	100.0	964-1509	27.28-42.7	13999	80 ± 3	138 x 73 x 81
	250	300	8.0	115.0	963-1416	27.25-40.0	13999	80 ± 3	138 x 73 x 81
	250	300	8.6	125.0	961-1366	27.20-38.6	13999	80 ± 3	138 x 73 x 81
	250	300	10.0	145.0	957-1235	27.08-35.0	13999	80 ± 3	138 x 73 x 81
OF 265	275	350	7.0	100.0	955-1654	27.03-46.8	13999	80 ± 3	138 x 73 x 81
	275	350	8.0	115.0	960-1550	27.17-43.8	13999	80 ± 3	138 x 73 x 81
	275	350	8.6	125.0	963-1414	27.25-40.0	13999	80 ± 3	138 x 73 x 81
	275	350	10.0	145.0	956-1283	27.05-36.3	13999	80 ± 3	138 x 73 x 81
OF 275	315	350	7.0	100.0	940-1688	26.60-47.7	13999	80 ± 3	138 x 73 x 81
	315	350	8.0	115.0	947-1602	26.80-45.3	13999	80 ± 3	138 x 73 x 81
	315	350	8.6	125.0	955-1506	27.03-42.6	13999	80 ± 3	138 x 73 x 81
	315	350	10.0	145.0	957-1321	27.08-37.4	13999	80 ± 3	138 x 73 x 81
OF 300	315	400	7.0	100.0	938-1809	26.55-51.2	13999	80 ± 3	138 x 73 x 81
	315	400	8.0	115.0	933-1680	26.40-47.5	13999	80 ± 3	138 x 73 x 81
	315	400	8.6	125.0	944-1646	26.72-46.6	13999	80 ± 3	138 x 73 x 81
	315	400	10.0	145.0	940-1405	26.60-39.7	13999	80 ± 3	138 x 73 x 81

After Sales Products and Services



A wide range of after-sales products and services by ELGi is designed to add maximum value to customers. ELGi's quick service processes ensure the optimum availability and reliability of compressors with the lowest possible operating costs.

Genuine Spares and Service

Genuine spares and services from ELGi help to avoid unexpected compressor failures and the risk of subsequent damage to other vital compressor components. ELGi spares are designed, manufactured, and checked for quality to meet the standards of a new ELGi compressor. ELGi consistently focuses on

improving spares to provide customers with the best results.

ELGi Air Audit

ELGi air audit program helps improve compressors' performance by identifying the areas of wastage in the system. ELGi air audit services are offered for generation, distribution, and demand-side systems.

VALUE ADDED SERVICES Downstream Accessories

ELGi provides a wide range of air-cure solutions for industries that require specific downstream air requirements.



Downstream Filter



EZL Drain



Air Receiver

Certification



- | | |
|---|--|
| <ol style="list-style-type: none"> 1. Product 2. Air Quality 3. Product Performance 4. Pressurized Components 5. Electricals 6. Materials & Processes | <p>CE certified</p> <p>Class "0" per ISO:8573(P-2):2007</p> <p>ISO 1217:2009</p> <p>ASME "U" stamping (USA); PED (EU); Work Cover/ Plant Design Registration (Australia); DOSH (Malaysia)</p> <p>UL & CE certified</p> <p>FDA approved per EU regulation (EC) No 1935/2004</p> |
|---|--|



ELGi's manufacturing plant in India is **ISO 22000 Certified**, demonstrating our dedication to providing food and beverage sectors across the world with consistently superior solutions.

ENERGY SAVING ACCESSORIES FOR A CLEAN, GREENER AND SUSTAINABLE FUTURE



Variable Frequency Drives (VFD)

The In-built ELGi Variable Frequency Drives (VFD) match the compressor output with the demand by varying motor speed which reduces the power consumption and subsequently results in savings.

The VFD helps eliminate frequent load-unload cycles and wasted power from the energy bill. In a fixed speed compressor with a Star-Delta starter, the starting current is as high as three times the Full Load Current (FLC). With ELGi VFD, the starting current is less than the FLC.

Advantages

- Energy savings
- Improved power factor
- Low starting current and hence reduced maximum demand
- Reduced maintenance
- High efficiency combined efficiency drive system

Six Reasons To Choose ELGi Air Compressors

1. Lower Life Cycle Cost
2. ELGi Technical Edge
3. Reliability
4. Global Service Network
5. Superior Warranty
6. Proven Results



ELGi

Always Better.

Elgi Equipments Limited is a global air compressor manufacturer with a broad line of innovative and technologically superior compressed air systems.

ELGi has consistently worked towards ensuring that its customers achieve their productivity goals while keeping the cost of ownership low. ELGi offers a complete range of compressed

air solutions from oil lubricated and oil free rotary screw compressors, oil lubricated and oil free reciprocating compressors and centrifugal compressors, to dryers, filters, and downstream accessories.

The company's portfolio of over 400 products has found wide application across industries.

63+

Years of Customer-Centric Innovation

2 Mn+

Installations Worldwide

120+

Countries and Counting



DEMING PRIZE
2019

ELGi is the first globally established industrial air compressor manufacturer to be awarded the Deming Prize for Excellence in Total Quality Management.*

*In over six decades

ELGI[®]
Always Better.

